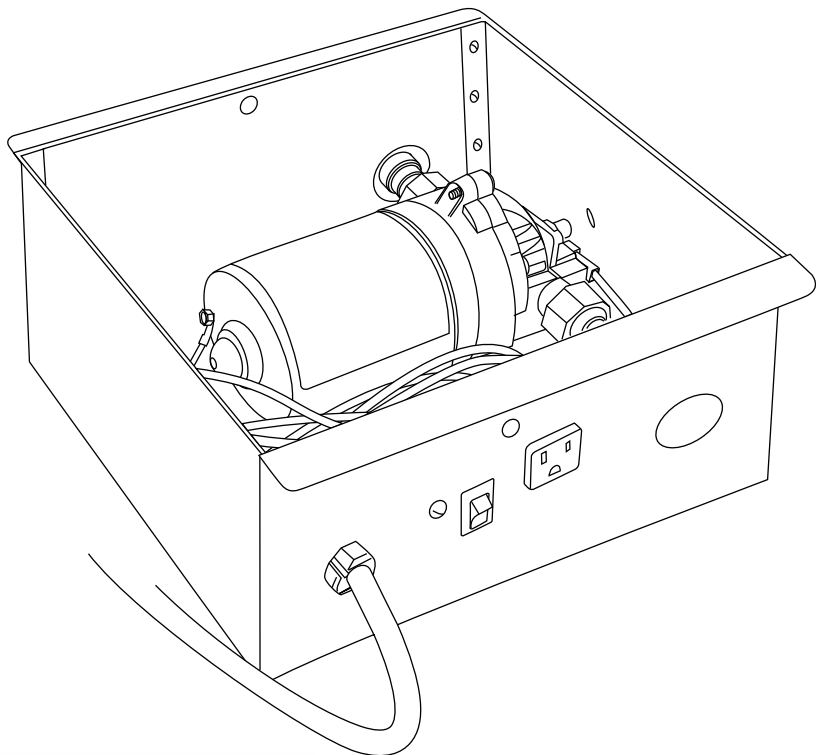




Remote Faucet Pump System

USE & CARE GUIDE



***See Important
Safeguards
on page 2***

An exclamation point within an equilateral triangle is intended to alert user to the presence of important operating and maintenance (servicing) instructions in the literature accompanying the appliance.



IMPORTANT SAFEGUARDS

SAVE THESE INSTRUCTIONS

When using this appliance always adhere to basic safety precautions including the following:

1. **READ ALL INSTRUCTIONS BEFORE USE.**
2. For use with Waterwise Model 7000 Distiller. Recommended for 8 and 12 gallon reservoir floor models.
3. Plug into a properly rated voltage AC grounded electric outlet **ONLY**. The Distiller with pump should be on a separate electrical circuit rated at least 15 amps.
4. The cord has a three-pronged plug which mates with a standard three-pronged grounded outlet. **DO NOT** cut or remove third prong from plug. If an adapter is used, be sure adapter wire and wall outlet are grounded. If there is any doubt as to whether the outlet is properly grounded, check with a qualified electrician.
5. **DO NOT** use with an extension cord.
6. Receptacle on pump box is for the Distiller only. **DO NOT** plug an electrical tool or appliance into this receptacle.
7. Unplug from wall outlet when not in use and before cleaning or servicing.
8. Protect pump and tubing from freezing. Failure to do so may result in cracking and water leakage.
9. All local plumbing and electrical codes apply and should be followed.
10. For indoor use only.
11. **DO NOT** use pump for other than intended use.

IMPORTANT: DO NOT use copper or PVC tubing as they will transfer a color, taste and/or odor to distilled water.

PUMP SPECIFICATIONS

- Shurflo® Pump and Tubing Components are Food Grade Rated by NSF International
- Max Flow Rate 1.4 gpm
- Pressure Setting 60 psi max
- 115VAC, 60Hz 0.7 amps max, 81 watts
- UL Power Cord 14 gauge 3 wire 105°C/221°F
- Grounded
- Patent No. 4,610,605
- One Year Warranty



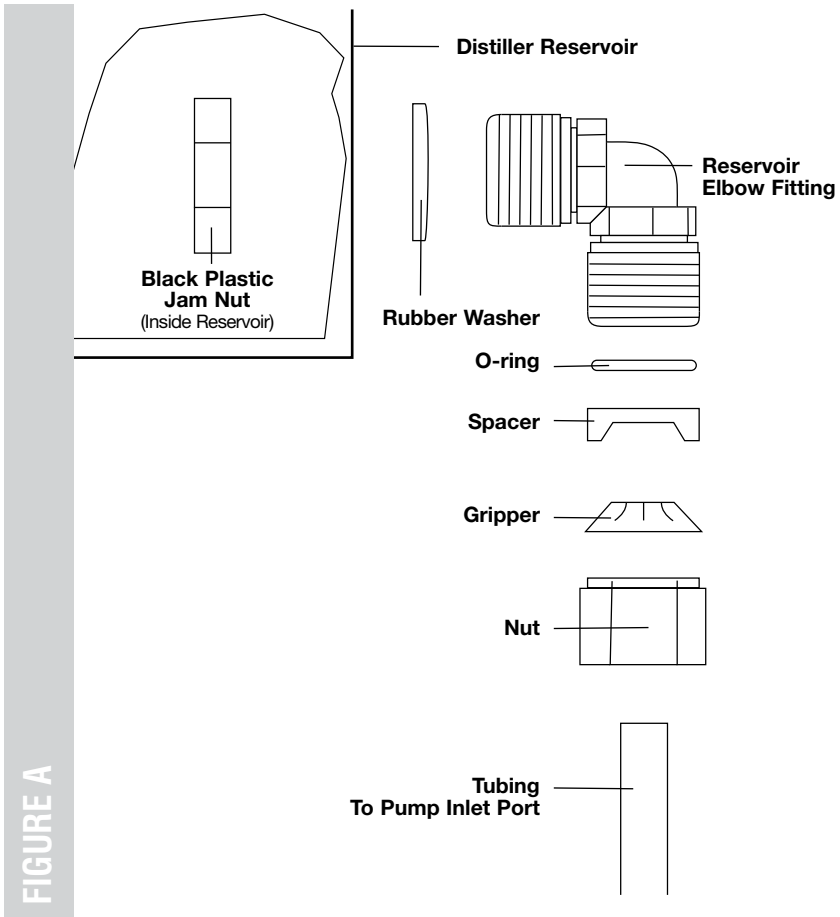
The Remote Faucet Pump System contains a long-life demand pump which delivers approximately 1 gallon of distilled water per minute. All parts in the pump that come in contact with distilled water are food grade quality and have been rated by the National Sanitation Foundation (NSF). The tubing (included) used to transport pure water from the pump to the gooseneck faucet, refrigerator, icemaker and/or remote faucet(s) is also NSF rated.

SYSTEM INCLUDES

- Stainless Steel Housing (9-1/2" W x 9-1/2" L x 5" H)
- Self-priming Demand Pump
- Chrome Gooseneck Faucet
- 50' of 3/8" Food Grade Flexible Tubing
- Icemaker Hookup Kit
- 25' of 1/4" Food Grade Flexible Tubing
- Fittings

INSTALLATION INSTRUCTIONS

1. Locate the slide rails on bottom of reservoir. Slide the pump box onto rails and secure at mounting holes with two screws provided.
2. Remove rubber washer and black plastic jam nut that are installed on the plug in reservoir. Install reservoir elbow fitting by placing rubber washer (flat side against outside of reservoir) onto one end of fitting and inserting it into hole in reservoir (*see Figure A*). From **INSIDE** reservoir securely tighten in place using black plastic jam nut. **DO NOT OVERTIGHTEN**.
3. Cut a piece of 3/8" tubing long enough to allow for gradual bend from reservoir elbow fitting to the inlet port of pump. Cut ends of tubing squarely.
NOTE: Excess tubing could become crimped and restrict flow.



4. Connect tubing to reservoir elbow fitting (see Figure A). Connect other end of tubing to inlet port on pump (see Figure B) by securely pushing tubing into inlet port fitting (approx. 3/4").
5. Connect tubing going to gooseneck faucet to outlet port on pump (see Figure B) by securely pushing tubing into outlet port fitting (approx. 3/4").

IMPORTANT: Install tubing so that it is protected from possible puncture, excessive heat, direct sunlight or freezing. Use gradual bends as sharp bends will cause tubing to crimp and restrict flow.

6. Choose location for gooseneck faucet on sink or countertop.
Route tubing to desired faucet location.

NOTE: Use sink spray nozzle hole if available. If drilling is required, use 1/2" high speed drill bit suitable for formica top or stainless steel sink. Porcelain clad iron sinks require drilling with special Relton cutter.

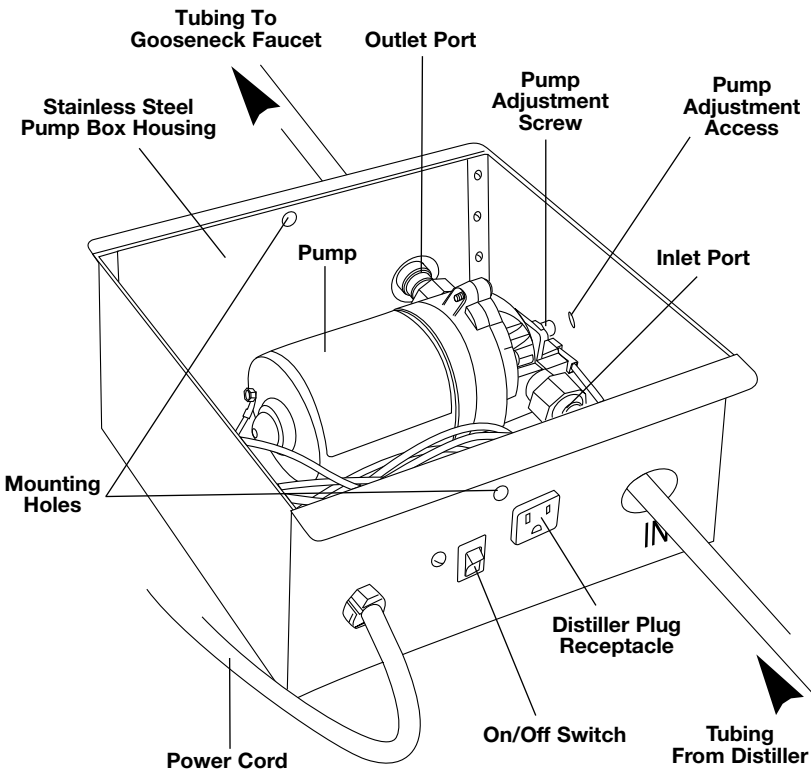


FIGURE B

7. Remove nut from faucet. Place small black washer, chrome top washer and large black washer onto threaded portion of faucet (see Figure C).
8. Place threaded end of faucet through hole in sink/countertop positioning it for desired delivery flow location. Make sure large black washer, chrome top washer and small black washer seat flush against sink/countertop (see Figure C).
9. From below sink/countertop, secure faucet with plastic disk, lock washer and nut. You may use a wrench on the "flats" of the faucet to hold it in position. Place a cloth between wrench and "flats" to prevent damage to faucet finish.

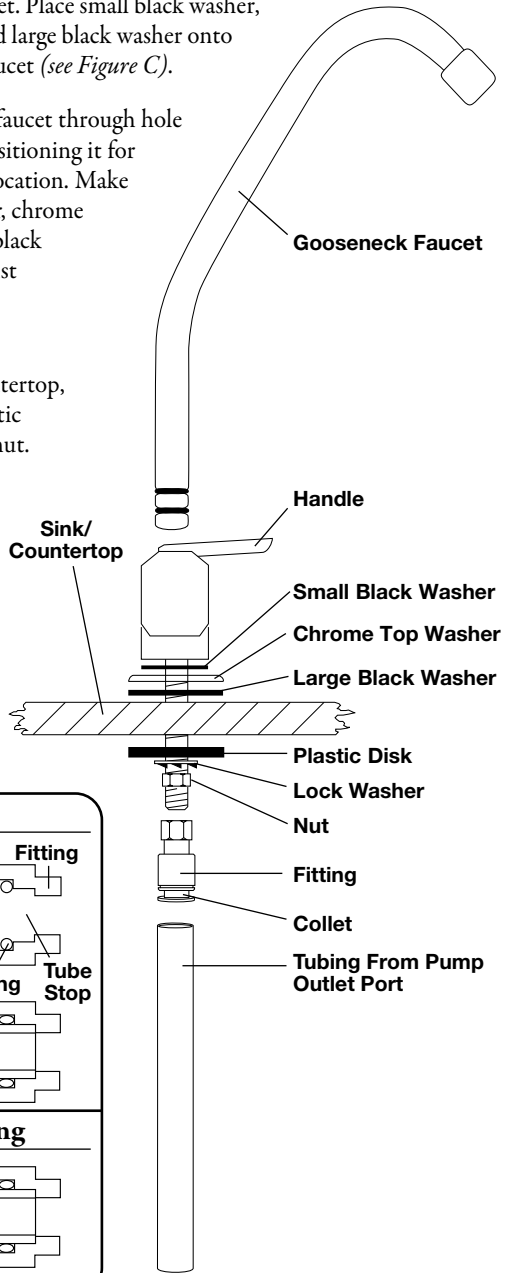


FIGURE C

10. Tighten fitting onto threaded portion of faucet.
11. Cut 3/8" tubing squarely. Push tubing into fitting as far as it will go (*approx. 3/4"*). Pull gently on tubing to make sure it is secured (*see Figure C inset*).
12. For icemaker hookup, install "T" fitting on 3/8" tubing as close to refrigerator as possible. Connect 1/4" tubing to "T" fitting. Route 1/4" tubing to refrigerator, allowing about 5 feet extra for servicing the refrigerator. Most icemakers have a 1/4" compression fitting. Use the plastic compression ring and tube support (both included) instead of the brass ring used on copper tubing.
13. Plug Distiller into receptacle on pump box housing. Make sure the pump box power switch is OFF (*see Figure B*).
14. Plug power cord from pump box into a properly rated grounded electric outlet ONLY.
15. **DO NOT** switch power on pump box to ON position (red indicator showing) until reservoir contains at least 3 inches of distilled water (approximately 6 hours). Pump could be damaged if used without adequate water supply in reservoir. Distiller WILL operate with pump turned off.
16. When reservoir has at least 3 inches of water, switch pump box ON.
17. For distilled water on tap, simply press handle on gooseneck faucet for instant flow or lift handle for continuous flow. Allow approximately 1 gallon of water to flow through faucet to clear pump system on initial use.
18. Turn faucet off and check system for leaks. If any leaks occur turn all switches OFF; unplug the pump box and correct.
19. If pump "sputters" when pumping water, especially during an icemaker filling cycle turn the pump adjustment screw (*see Figure B*) 1/8 to 1/4 turn CLOCKWISE with a 5/64" Allen wrench (hex key). If pump still sputters during the next icemaker filling cycle, make another 1/8 to 1/4 CLOCKWISE adjustment. Repeat this procedure until sputtering stops.
CAUTION: Over adjustment will cause pump to run continually.
20. If reservoir is emptied, the pump will continue to run until sufficient water is replaced. This could damage pump. Turn pump box switch OFF whenever reservoir is emptied.

OWNER'S LIMITED WARRANTY

Waterwise warrants, to the original purchaser, this product against defects in materials and/or workmanship, for a period of one (1) year from the date of purchase. Defects or failures due to shipping/handling, incorrect installation, improper use or maintenance, including abuse or neglect, accidents, alterations or modifications, or unauthorized repair are specifically excluded from this warranty. No dealer, distributor, agent, representative, or other person is authorized to extend or expand this warranty.

Waterwise is not responsible or liable for personal injury, property damage, or incidental or consequential damages arising out of, or in connection with, the use or performance of the product or other damages with respect to loss of use, or costs of removal, installation, or reinstallation.

Waterwise will, at its option, replace or repair the defective part(s) without charge, provided they are returned, transportation prepaid by owner, to an authorized service facility or to the address below. Enclose a letter describing the problem, copy of dated proof of purchase, and your name, address and daytime telephone number.

This limited warranty does not guarantee uninterrupted service. Repair or replacement as provided under this warranty is the exclusive remedy of the purchaser. This limited warranty is in lieu of all other warranties, expressed or implied, including, but not limited to, any implied warranty of merchantability or fitness for a particular use or purpose. This warranty gives you specific legal rights and you may also have other rights which vary from state to state or province to province.

Outside the United States, a different warranty may apply. For details, please contact your authorized Waterwise distributor.



3608 Parkway Blvd • Leesburg Florida 34748-9399 • (352) 787-5008 • Fax: (352) 787-8123

www.waterwise.com • E-mail: service@waterwise.com