

# Model 4000® Countertop Distiller Filter Cup Instructions

The disposable filter cup contains granular activated carbon (GAC) produced from pure virgin coconut shell material. GAC acts as a final “polishing” step to enhance taste and purity of steam distilled water by adsorption, aeration and degasification.

1. Remove and discard the two protective seals (one on top and one on bottom).
2. Pour 1 to 2 cups of boiled or distilled water through filter cup to rinse away any small, harmless carbon fines (dust). Water draining from the filter cup may contain black dust. This is normal. The carbon dust is formed as a result of production, packaging and shipping of filter cup.
3. Once water runs clear through the filter cup, to ensure optimum water purity, sterilize filter cup by fully immersing in boiling water for about five minutes. **DO NOT** microwave. Carefully remove filter cup from boiling water and allow to cool before handling.
4. Rinse briefly with boiled or distilled water before installing.
5. Remove cover from distiller and turn upside down on countertop. Remove and discard used filter cup. Place sterilized filter cup into opening of distiller spout. Hook the filter cup tab under the cover gasket and apply light, downward pressure away from cover until the filter locks into place. (See diagram on reverse)

**The filter cup should be replaced every two months or after 60-80 gallons of water processed** (whichever comes first).

As a convenient reminder, write the date of installation on the Replacement Record printed on the outside of carton.

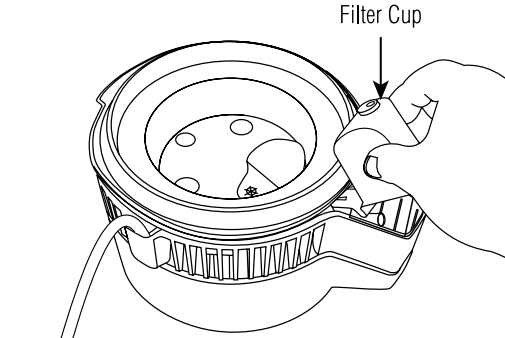
**NOTE:** Effective life of a filter cup will vary depending on quantity of water produced and quality of tap water used. If you notice a change in taste of the steam distilled water, clean distiller boiling tank and install a new filter cup.

**Refer to Use & Care Guide for additional information and important safeguards.**

**Contact your supplier or call (352) 787-5008 with questions.**

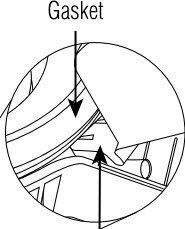
*Operational maintenance and replacement requirements are essential for this product to perform as advertised.*

**TO REMOVE  
FILTER CUP:**



Filter Cup

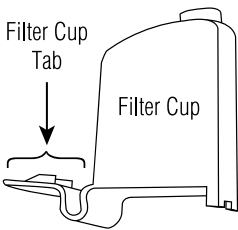
Remove the filter cup by pushing inward and lifting up to remove



Gasket

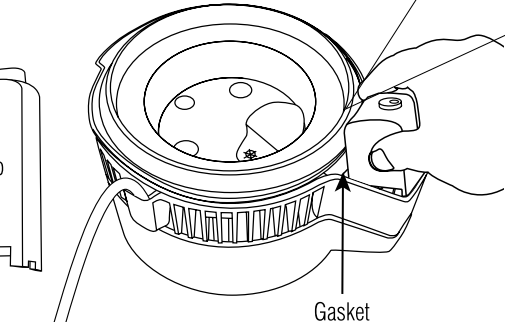
Tab must go **UNDER** gasket

**TO INSTALL NEW  
FILTER CUP:**



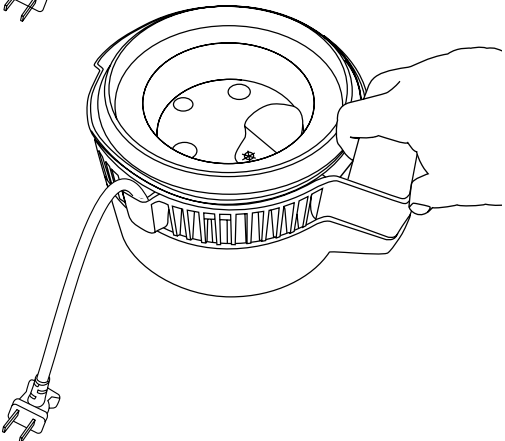
Filter Cup  
Tab

Filter Cup



Gasket

Hook the new filter cup tab under the cover gasket



Gently apply downward pressure away from the cover until the filter cup locks into place

**OVER**