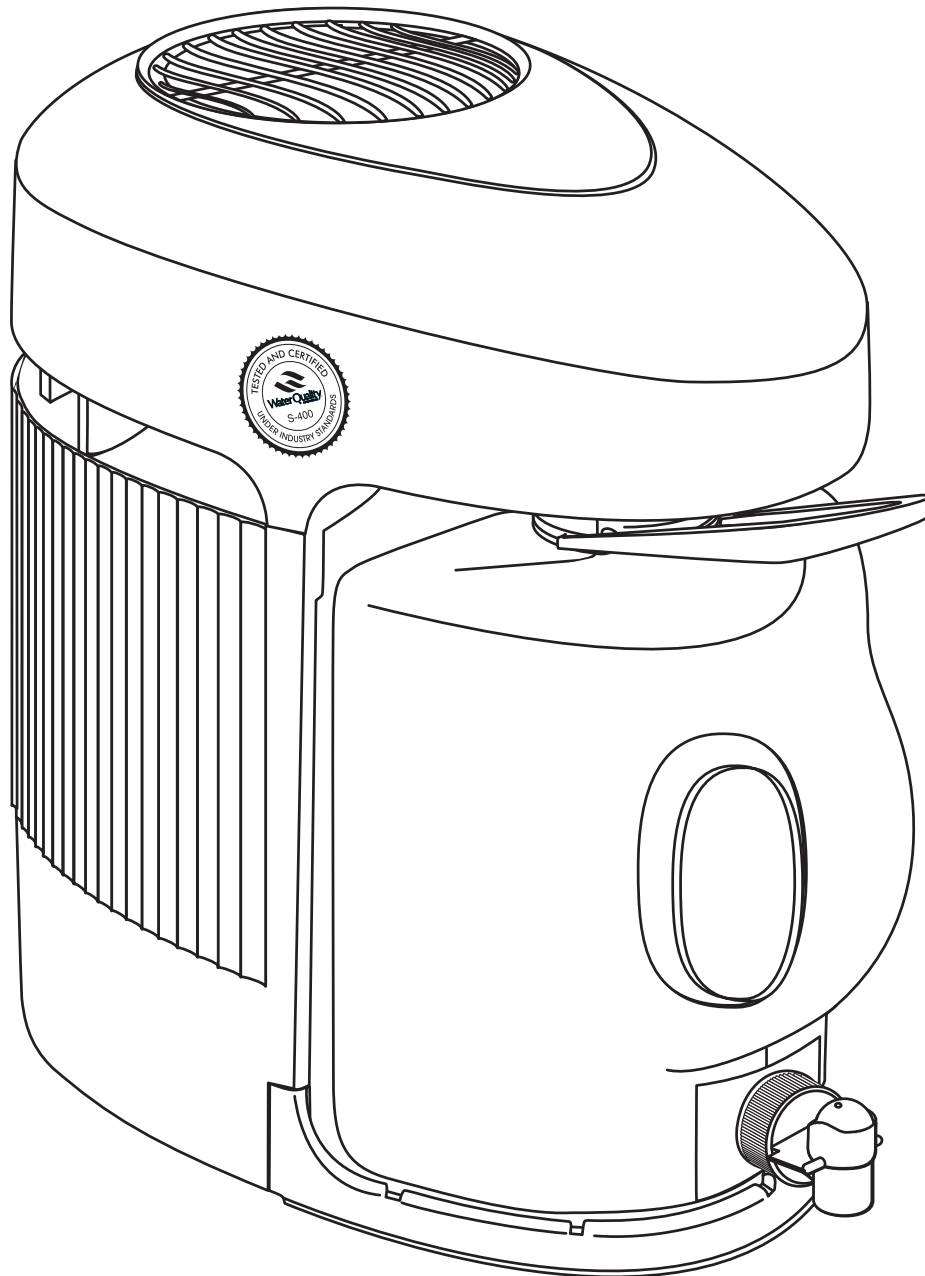
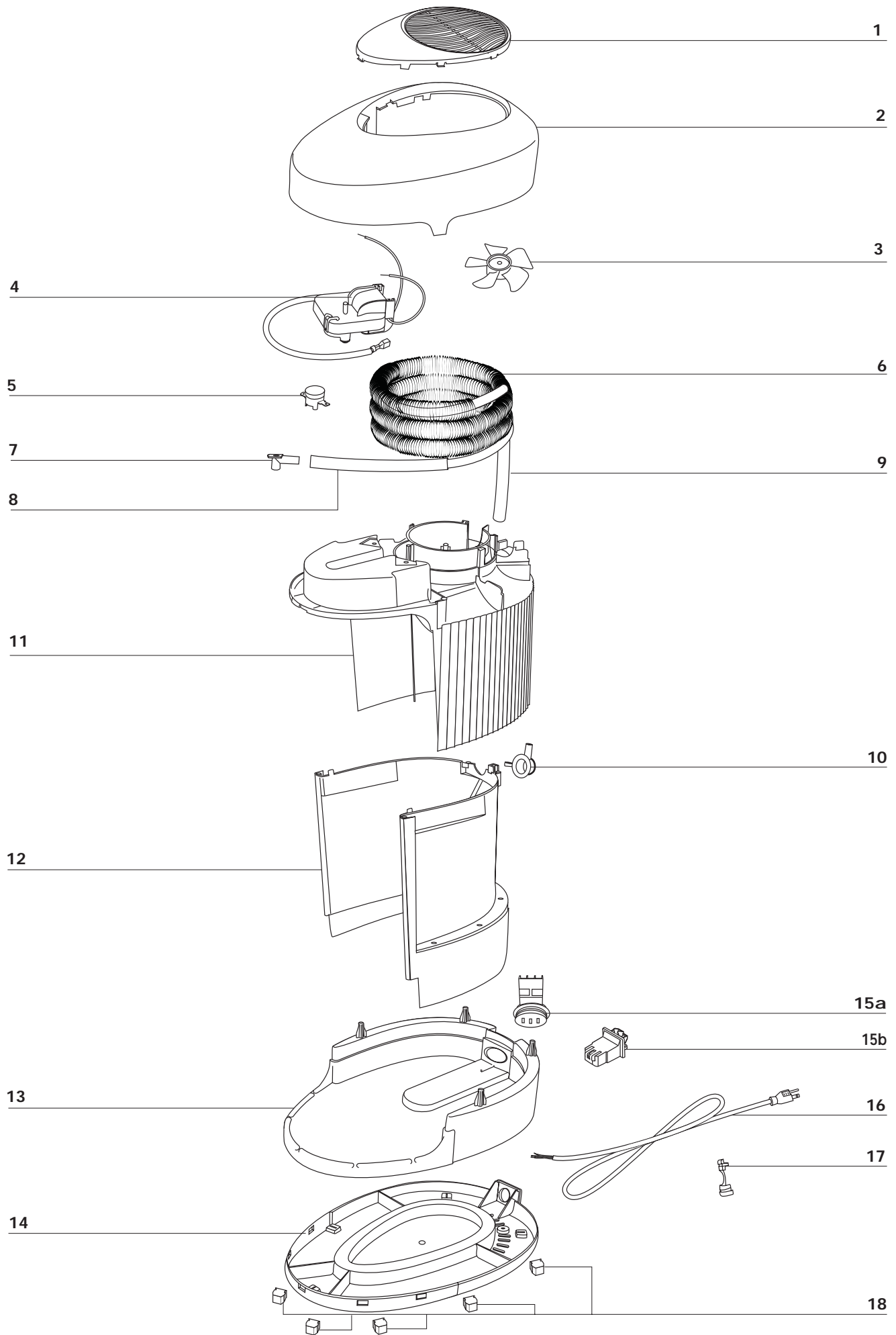




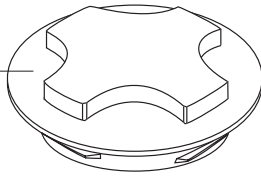
Distiller 9000™



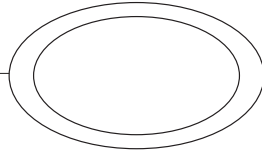
Parts Diagram ❖ Retail Price List



19



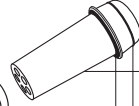
20



21



22



23

24

25

32

34

31

33

28a

28b

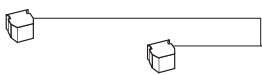
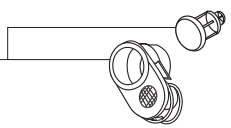
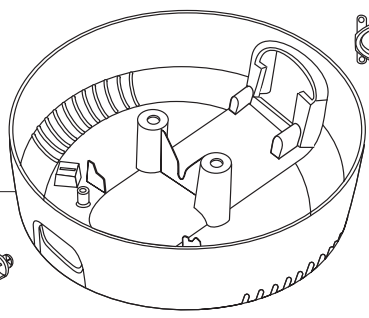
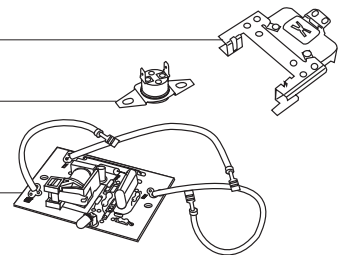
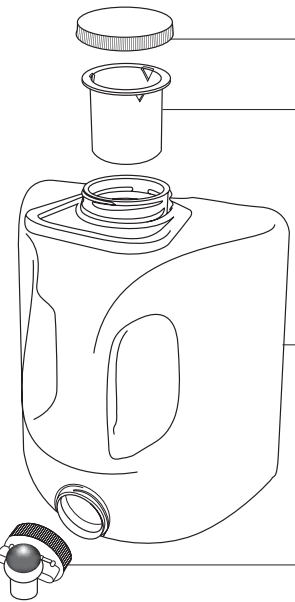
26a

26b

27

29

30



18

Model 9000 Retail Parts List

Effective March 1, 2008

KEY	ITEM	DESCRIPTION	PRICE
1	9155	Vented Fan Cover	\$ 7.15
2	9150	Top Hood Cover	25.55
3	9141	Fan Blade	4.50
4	9140	Fan Motor 120V (for Date Code 9933 +)	32.95
4	9146	Fan Motor 230V (for Date Code 0042 +)	32.95
5	9167	Condenser Thermostat 120V/230V	9.75
6	9165	Condenser Coil	58.00
7	9172	Outlet Elbow	1.50
8	9171	Outlet Tubing	2.50
9	9170	Inlet Tubing	2.50
10	9160	Baffle Receptacle	2.00
11	9180	Chassis Housing Exterior	39.80
12	9186	Chassis Housing Interior (fits Strix Connector)	36.95
12	9185	Chassis Housing Interior (fits Otter Connector)	NA
13	9196	Chassis Platform (fits Strix Connector)	28.40
13	9195	Chassis Platform (fits Otter Connector)	NA
14	9199	Chassis Bottom (fits Hardwired Cord)	16.00
14	9197	Chassis Bottom (fits Detachable Cord)	16.00
15a	9174	Strix Connector (Chassis)	9.95
15b	9175	Otter Connector (Chassis)	11.65
16	9101	Power Cord 120V (Hardwired)	6.95
NS	9100	Power Cord 120V (Detachable)	6.95
NS	9176	Power Cord Receptacle (for Detachable Cord)	8.90
17	9103	Strain Relief	.45
18	9235	Rubber Foot (Grey)	.60
19	9225	Boiling Chamber Lid	6.45
20	9230	Lid Gasket	3.50
21	9227	Baffle Nut	1.75
22	9220	Steam Baffle with O-ring (#23)	3.00
23	9221	O-ring (for Steam Baffle)	.45
24	9223	Gasket (for Steam Baffle)	.75
21-24	9228	Steam Baffle, O-ring, Gasket & Baffle Nut Kit	5.30
25	9255	Boiler Upper Body w/Element 120V	98.00
26a	9247	Boiler Thermostat (for Serial Numbers less than 26675)	15.35
26a	9248	Boiler Thermostat (for Serial Numbers 26675 +)	15.35
26b	9249	Boiler Thermostat (for Serial Numbers 70000 +)	12.45
27	9245	Control Board Assembly 120V	32.80
27	9246	Control Board Assembly 230V	32.80
28a	9266	Strix Connector (Boiler)	7.95
28b	9236	Otter Connector (Boiler)	7.95
29	9251	Boiler Base (fits Strix Connector)	16.95
29	9250	Boiler Base (fits Otter Connector)	NA
30	9240	Boiler Button w/Retainer	3.00
31-34	9050	1 Gallon Collector w/Cap & Faucet	35.00
32	9051	Cap for Collector	2.40
33	9055	Faucet for Collector	6.95
34	9053	Handle for Collector	3.00
35	6506	Carbon Post Filter Cup (6 qty)	42.00
	9191	Complete Chassis Assembly 120V (Strix)	279.00
	9190	Complete Chassis Assembly 120V (Otter)	269.00
	9206	Complete Boiling Chamber Assembly 120V (Strix)	187.00
	9205	Complete Boiling Chamber Assembly 120V (Otter)	NA
	9211	Complete Boiling Chamber Assembly 230V (Strix)	215.00
	9210	Complete Boiling Chamber Assembly 230V (Otter)	NA

No warranty or return on electrical components. Prices subject to change without notice.

NS = Not Shown NA = Not Available

3608 Parkway Blvd Leesburg FL 34748 • Phone (352) 787-5008 • Fax (352) 787-8123 • E-mail service@waterwise.com • www.waterwise.com