

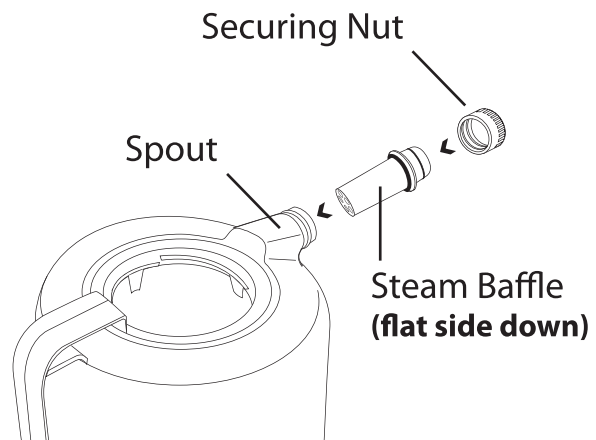
Technical Bulletin #9714

- **No power to the boiler**
- **Early shutoff**
- **Water under the boiler**

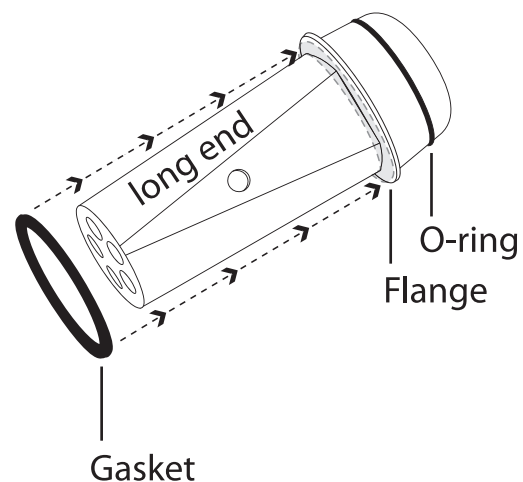
Check for proper installation of steam baffle and boiler.

Steam Baffle Installation:

1. Ensure the gasket is properly installed on the **long end** of the steam baffle as shown and positioned **against flange**.
2. Insert the long end of the steam baffle, **flat side down**, into the spout.
3. Turn the securing nut clockwise onto the spout until tight, being **careful not to cross thread and be sure the nut is on straight**.
4. The o-ring is pre-lubricated, however, **a food grade silicone lube should be used as needed**. Place a very small amount (thin film) on your finger and wipe it around the o-ring on the steam baffle. **Do not lube flat gasket**.

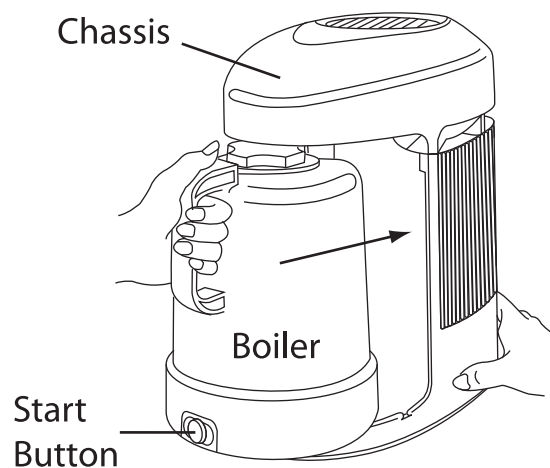


Steam Baffle (flat side view, shown actual size)



Boiler Installation:

1. Push boiler firmly into chassis.
2. Place one hand on back of chassis and push boiler into chassis with other hand.
3. Press firmly at upper and lower part of boiler to ensure a proper electrical connection.



over

Model 9000 Troubleshooting

No Power to the Boiler (no "Start" Button red light):

Ensure there is power at the electrical outlet where the distiller is plugged in by trying another appliance.

If the outlet has power, then follow these steps:

1. Remove the Baffle Securing Nut and Steam Baffle from the Boiler.
2. Add a cup of water into the boiler.
3. Place the Boiler back in the Chassis **without** the Baffle or Nut and press the Start Button.
4. The Boiler is getting power if the Red Light illuminates.
5. Remove the Boiler immediately and refer to steam baffle instructions on reverse side.

If the red light does **not** illuminate, please contact your authorized distributor to arrange for service and/or replacement parts.

Early Shut-off:

The primary cause for early shut-off is excessive scale in the Boiler. If the bottom heater plate in the Boiler has any coating on it, descale using diluted (50/50) white vinegar and water or Kleenwise descaler.

An improperly seated Steam Baffle may cause the Boiler to back out and disrupt the power connection. Follow these steps to determine proper installation:

1. Remove the Securing Nut and Steam Baffle from Boiler.
2. Ensure the Gasket (flat washer) is properly installed on the Steam Baffle, positioned against the Flange. Correct position is on the opposite side of flange from the O-Ring (see diagram on reverse side).
3. Apply a thin film of a food grade silicone lube to the O-Ring with your finger. **Do not** lubricate the flat Gasket.
4. Insert the long end (with 5 holes) of the Steam Baffle, **flat side down** (side with the hole in it) into the Boiler Spout (see diagram).
5. Turn the Securing Nut clockwise onto the Spout until tight, being careful not to cross-thread and be sure the nut is on straight.

To ensure proper connection, install the Boiler by pushing firmly into the Chassis as follows:

1. Place one hand on back of Chassis and push Boiler into Chassis with the other hand.
2. Press firmly at upper and lower part of the Boiler to ensure a proper connection.

Run the Distiller through a test cycle. If the cycle completes, the problem has been corrected. Approximately 5 oz. (150ml) of water will remain in the Boiler at the end of a completed cycle.

See Use & Care Guide for additional troubleshooting tips.

over