

MODEL 7000 BOILER CALIBRATION INSTRUCTIONS



WARNING: This calibration adjustment should be done by qualified personnel only. Always unplug distiller power cord from wall outlet before removing louvered cover.

Purpose: **To set minimum water level.**

1. To remove, loosen screws on each side of louvered cover and lift.
2. Loosen nut (#2, Figure A) by turning counterclockwise.
3. Using 1/8" Allen wrench, turn adjustment screw (#3, Figure A) clockwise 3-4 turns.
4. Unplug boiler tank cord and lift boiler tank up and off of lift spring bracket. Fill boiler tank with water to minimum water level (Figure B).
5. Remount boiler tank onto the distiller (see Use & Care Guide for proper installation). Attach boiler tank lid and knob (Figure B).
6. Using 1/8" Allen wrench, slowly turn adjustment screw (#3, Figure A) counterclockwise until you hear the first microswitch (#4) "click."
7. Hold the position of adjustment screw (#3, Figure A) and turn nut (#2, Figure A) clockwise until tight.
8. Unit is now calibrated.
9. Replace louvered cover and tighten screws. **DO NOT** operate Distiller without louvered cover in place.

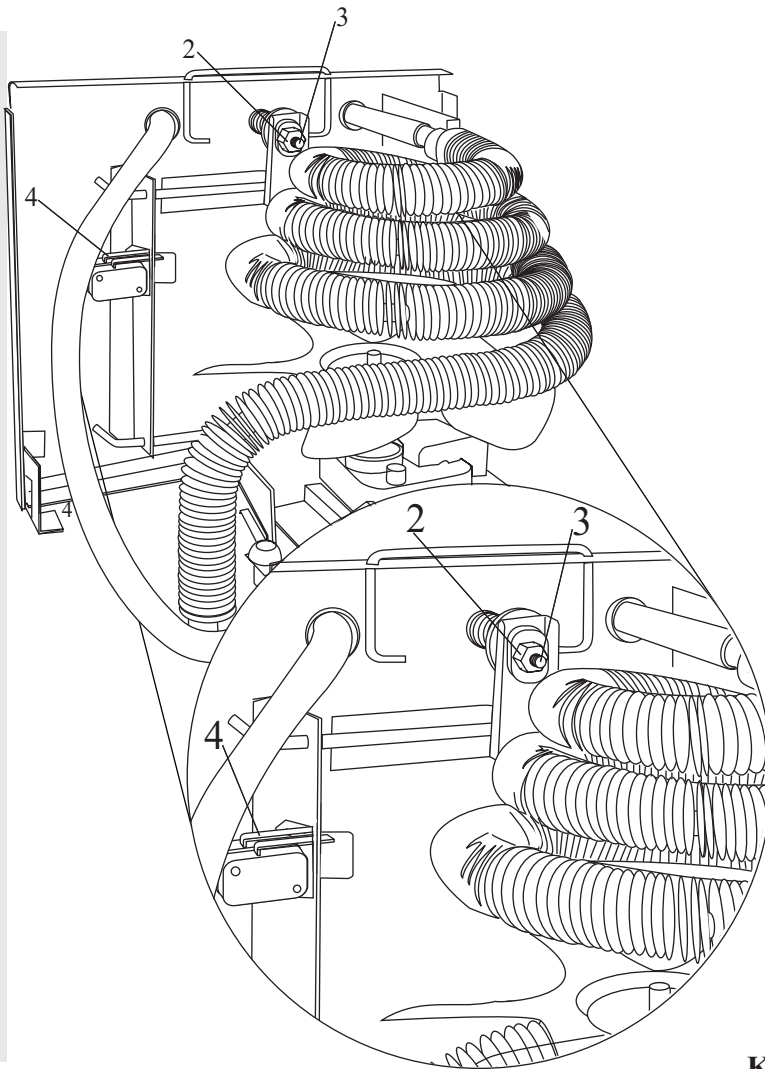


FIGURE A

**Minimum
Water
Level**

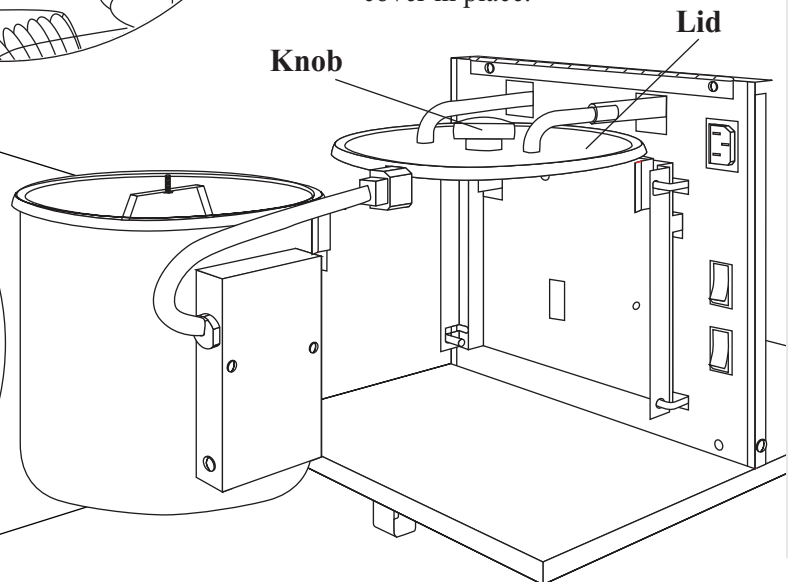
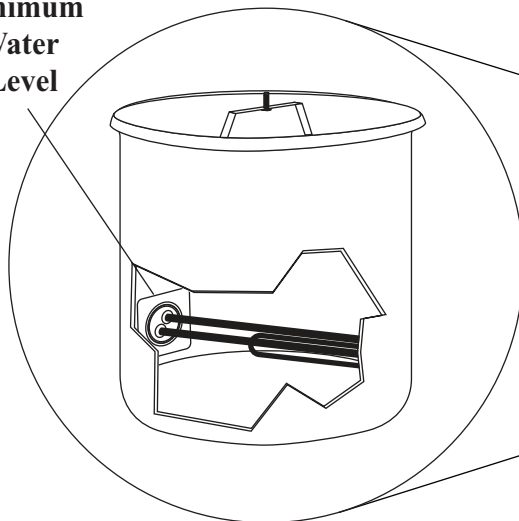


FIGURE B