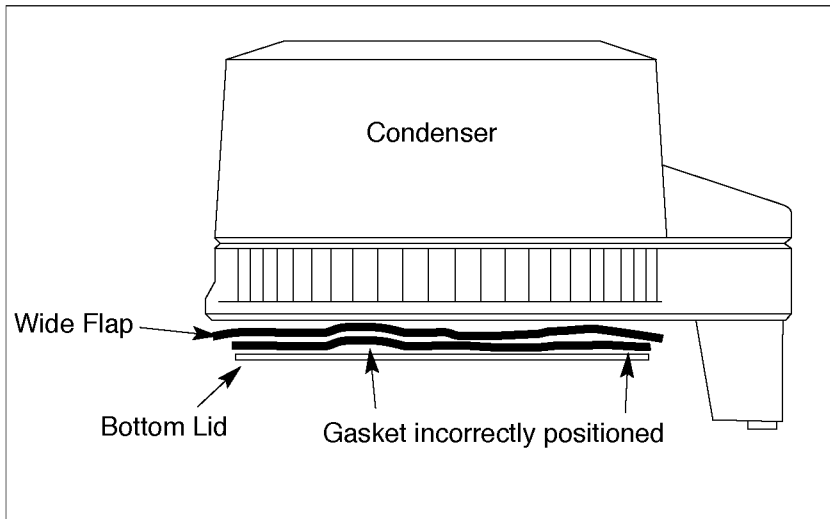
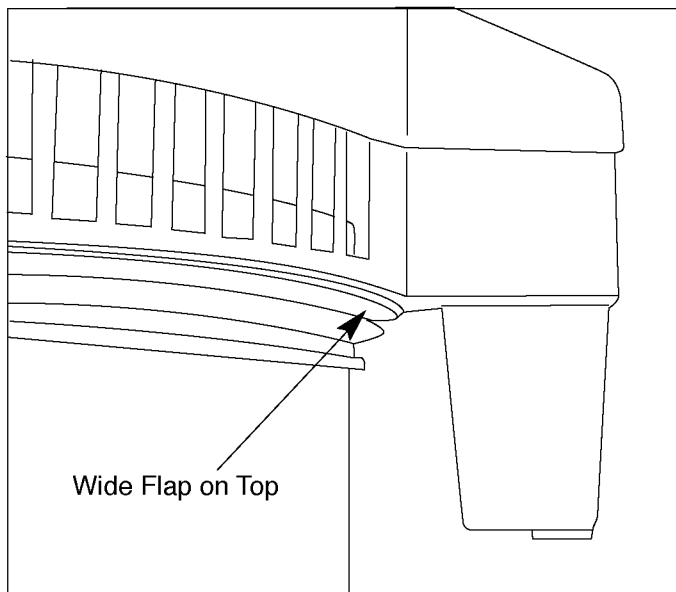
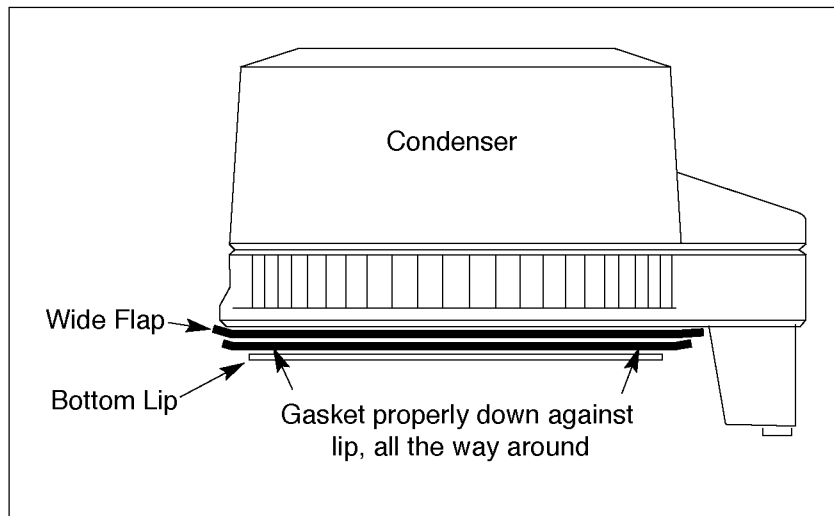


Waterwise Model 4000 & 5000 NEW Style Condenser Gasket Instructions



1. When replacing gasket remove condenser assembly from boiler.
2. Remove and discard old gasket.
3. Stretch gasket, with flaps out, around lid. Ensure gasket is flat around lid (**not twisted**) and that flaps are facing up and out.
4. Replace condenser assembly on boiler.



Be sure the gasket is positioned with the wide flap on top and is down against the bottom lip of the cover.

